



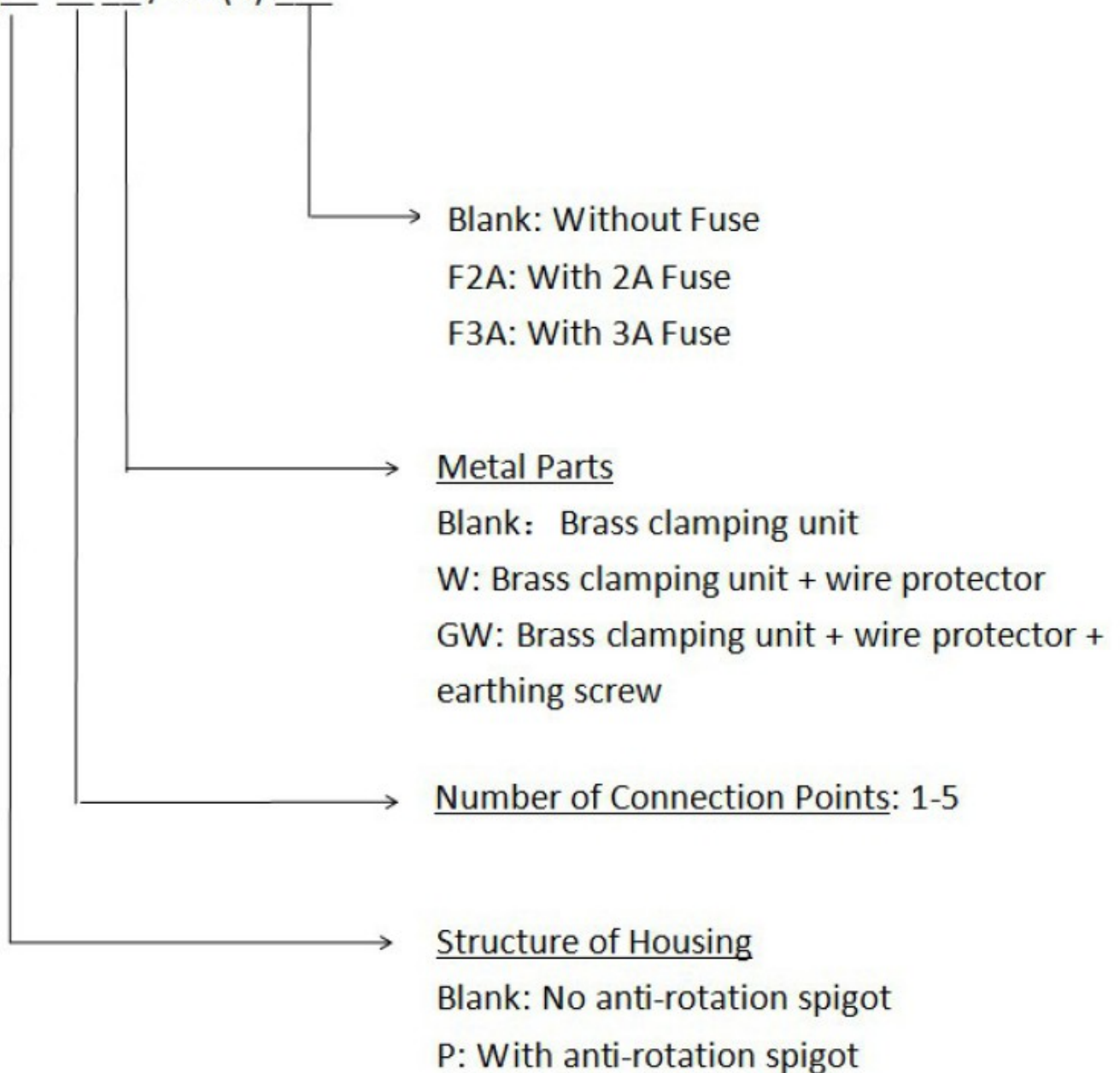
FT06-1

FT06 Series



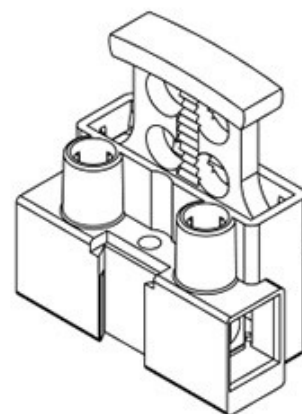
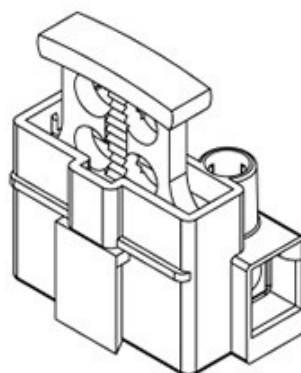
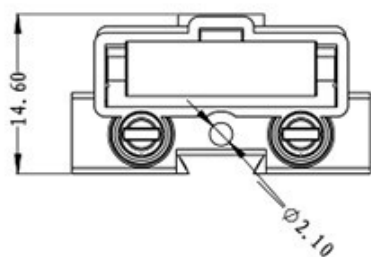
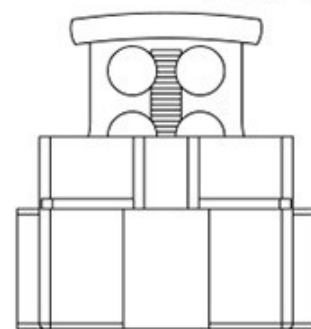
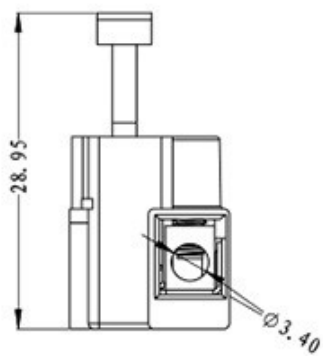
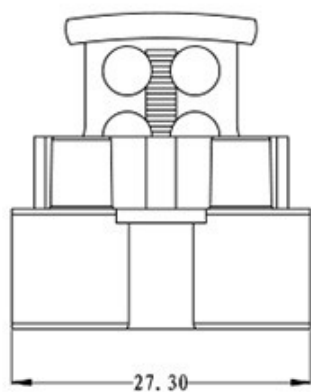
Fused Terminals & Connectors

FT06 - / 83 (A)-



Item No.		FT06-1	FT06P-1
Electrical Data			
IEC/EN			
		Fuse Holder	Terminal
Rated Voltage (V)		250	450
Rated Current (A)		6.3	15
Ambient Temperature	Polyamide 66	105°C	
Connection Data			
		IEC/EN	
Cross Section	Solid conductor	2.5-4.0mm ²	
	Stranded conductor	2.5-4.0mm ²	
	Flexible conductor	2.5-4.0mm ²	
Strip length (mm)		7	
Means of connection		screw fixed	
Screw		M3	
Rewirable		√	
Number of terminals		multiway	
Number of connection points		1	
Means of Fixing			
screw fixed			
Materials			
Insulation Materials	Designation	Polyamide 66	
	Flammability class	UL 94V-2	
Clamping Unit		brass	
Compatible Products			
Fuse		5*20mm fuse	
Packing Quantity (pcs/carton)			
1000			

FT06-1



FT06P-1

